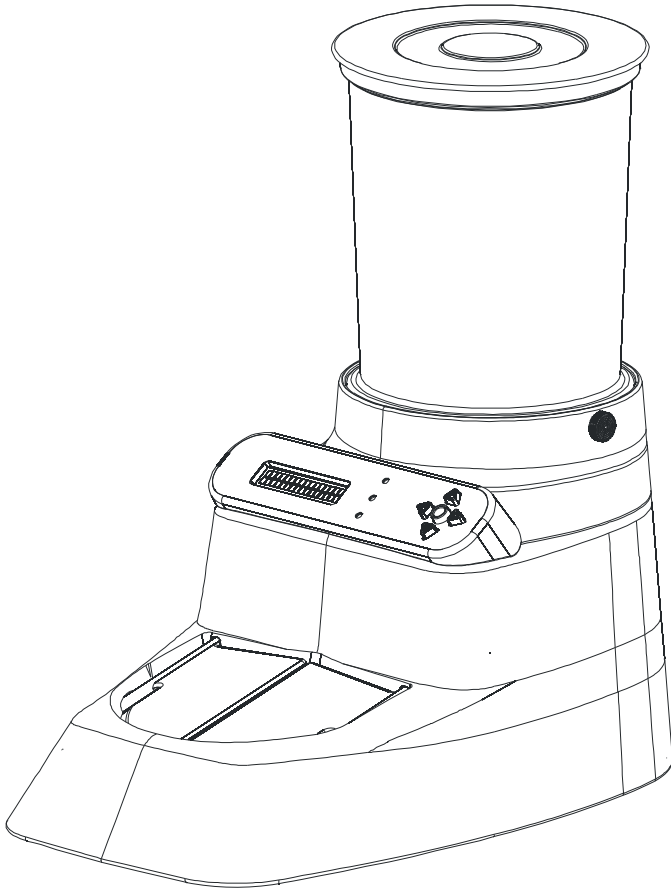


Wireless Whiskers[®]

AutoDiet[™] Feeder Model AC100



Owner's Manual

Revision 2.2

CONTENTS OF PRODUCT BOX

Wireless Whiskers® Model AC100 unit

Feed tube

Top cover

AC adapter

Wireless tags (2)

Owner's Manual and Warranty

OWNER'S MANUAL TABLE OF CONTENTS

CONTENTS OF PRODUCT BOX	ii
INTRODUCTION	1
PREPARING YOUR NEW FEEDER	4
HOW IT WORKS	5
PRODUCT DESCRIPTION	6
AUTODIET™ FEEDER CONTROLS	8
Keypad	8
LED Lights	9
LCD Display	9
ON/OFF	9
SYSTEM OPERATING MODES	10
DISPLAY MODE	10
FEEDING MODE	10
MENU MODE	10
INITIAL SET UP	11
SET TIME AND DATE	11
REGISTERING WIRELESS TAGS	12
PROPER FITTING OF WIRELESS TAGS	13
OPTIONAL SET UP	14
EDITING PET NAME	14
DOOR CONTROL SETTINGS	14
SET PORTION CONTROL PROGRAM	16
DAILY ALLOWANCE	17
Automatically Setting	17
Manually Setting	17
Unlimited Feeding	18
Kittens and Puppies	18
Locking Out a Pet (Access Control)	18
SET AUTODIET WIZARD™ PROGRAM	19
ATTACH PAW GUARD	20
DIET MANAGEMENT	20
FOOD TYPES	20
PUTTING YOUR PET ON A DIET	21
TREATS AND ADDITIONAL FOOD SOURCES	21
MONITOR YOUR PETS' FEEDING AND HEALTH	21
MULTIPLE FEEDING STATIONS	22
TIME TO FORGET ABOUT CUPS	22
Converting Cups to TIME	24

MORE ON OPERATING MODES	24
DISPLAY MODE	24
Alerts	25
Time and Date Display	26
System Settings Display	26
Pet Stats	26
FEEDING MODE	28
Available Allowance	28
MENU MODE	29
Accessing MENU MODE	29
MENU MODE Timeout	30
AVAILABLE SETTINGS	30
TIME AND DATE	34
Time	34
Date	34
AUTODIET™ SET UP	35
AutoDiet Wizard™	35
Adjust AutoDiet™	35
Daily Allowance	36
Portion Control	36
Cycle Start Hour	36
SYSTEM CONTROL	36
Show Settings	36
Show Pet Stats	36
Backlight	37
Door Control	37
Detection Window	37
System Reset	38
REV. SERIAL NO:	38
EDIT/DELETE PET	39
Edit Pet Name	39
Delete Pet	39
SELECT PET	39
SYSTEM POWER FEATURES	39
AC Power	39
Battery Power	40
Low Battery	40
Power Outage	41
PET Activated Power Up	41

MAINTENANCE	42
Cleaning	42
Packaging	42
Batteries	42
TROUBLESHOOTING	43
WARRANTY	46
PARTS AND ACCESSORIES	47
FCC COMPLIANCE STATEMENTS	47
COPYRIGHTS, TRADEMARKS AND PATENTS	48
FEEDING RECORD	a
QUICK REFERENCE MENU GUIDE	c

INTRODUCTION

Welcome

Congratulations on your purchase of Wireless Whiskers® AutoDiet™ Feeder. This revolutionary product designed in Silicon Valley California is the world's most advanced diet management system for pets. It offers the very latest technology to finally triumph over your pets' wayward feeding behavior. Sophisticated access control capabilities let you decide which pets can use the feeder and how much. You can set up separate feeding stations for different food types. If a pet needs to go on a diet, no problem, the feeder will automatically and independently control diets of up to 8 cats or small dogs. Your AutoDiet™ feeder is packed with features available on no other feeder. You can lock out specific pets. Prevent gorging or unwanted night feeding. Monitor your pets' intake. It will even alert you if a pet is underfeeding. The AutoDiet™ Feeder is simply amazing!

Before we get started, let's look at some do's and don'ts. The table below shows things that are or are not recommended with your feeder.

YES	NO
Dry Food (kibble)	Wet or Moist Pet Food
Cats	Remove either ring from wireless tag
Dogs (up to 18 inches tall)	Large Dogs (taller than 18 inches)
Automatically Set Allowances	Other Large Animals
Lock Out Selected Pets	Outdoor Use (wet weather)
Multiple Feeding Stations	Ignoring Safety Instruction and Alerts
Selective Access to Food Types	Large Diameter Kibble (>1/2 inch)
Prevent Gorging and Vomiting	Cleaning Feed Tube in the Dishwasher
Up to 8 Pets per feeder	Sit Feeder on Metal Surfaces
Weight Loss or Maintenance	Use for pets without supervision

SAFETY INSTRUCTIONS AND CAUTIONS

READ CAREFULLY BEFORE USING THE PRODUCT TO AVOID RISK OF ELECTRIC SHOCK, FIRE OR INJURY.

Warning - When using electric appliances, basic precautions should always be followed, improper use may result in a risk of fire or electrocution. It is also important that your pets are under supervision and that you continually check the feeder's settings and daily consumption to ensure they are appropriate for your pets. To reduce the risk of injury, please observe the following precautions:

- Only use attachments and AC adapters recommended and sold by the manufacturer.
- Do not handle the AC adapter with wet hands. Remove any dirt or fluids from the power plug before use.
- Do not pull on or damage the power cord or plug. To unplug grasp the jack plug or adapter body.
- Do not operate any appliance with a damaged cord or plug, or after the appliance malfunctions or is dropped or damaged in any manner. Return appliance to the nearest authorized service facility for examination, repair, or electrical or mechanical adjustment.
- Plug the AC adaptor completely into the power outlet when in use and unplug from outlet and remove batteries when not in use.
- Do not dismantle or modify the unit. The control panel may be unplugged after all power is removed.
- Do not insert metallic or flammable objects inside the unit when it is powered on.
- Do not touch any of the interior electrical components in the unit while it is powered on.
- Close supervision is necessary when an appliance is used near children. Do not allow children to play with the unit.
- If water or other foreign materials enter the unit, or the outer case is damaged, immediately

discontinue use and remove the power plug and remove batteries.

- If the unit produces smoke, unusual amounts of heat, unusual odors, or unusual sounds, immediately discontinue use and remove the power plug then remove the batteries.
- Do not place the unit or power cord in walkways or where people might trip over them.
- Do not place heavy objects on top of the unit, or climb on it (casing may collapse).
- Do not place the unit in high temperature areas for prolonged periods of time (external casing may warp).
- During cleaning and long periods of disuse, unplug the unit and remove batteries.
- You should continually monitor the settings and pet feeding statistics on your feeder along with your pets' health to ensure that they are receiving sufficient nourishment. The automated features of the feeder are not a substitute for proper supervision.
- Do not excessively underfeed your pets. Adult pets should not lose more than one pound (0.5 Kg) per month. Pets that are not fully grown should not be put on a weight loss diet without guidance from your veterinarian.
- Always seek advice from your veterinarian before putting a pet on a weight loss diet: especially small pets and toy dogs.
- Always seek advice from your veterinarian if your pet's weight is significantly over or under what is normal or if your pet loses its appetite or continually underfeeds.
- Do not leave your pets unattended for long periods of time.
- Do not use this product outside, it is not water sealed and could present the risk of electrical shock.

KEEP THESE INSTRUCTIONS IN A SAFE PLACE.

PREPARING YOUR NEW FEEDER

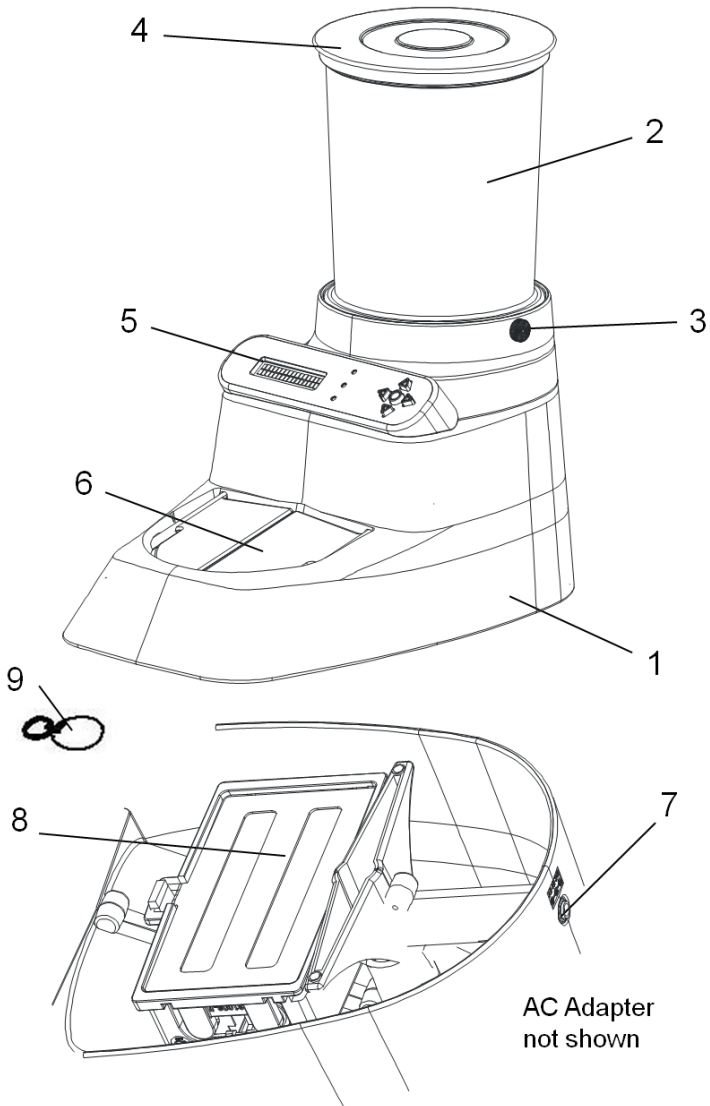
- Please follow the **Initial and Optional Set Up** instructions in this manual. (See p.11 and p.14). Or if you prefer visit our website for a **VIDEO GUIDE** that takes you step by step through the set up and features of your new feeder.
- First review the SAFETY INSTRUCTIONS AND CAUTIONS.
- Remove all items from the product box.
- Remove shipping tape and protective packing from the feeder.
- If you will be using batteries they can be installed underneath the feeder. Take care to insert them with the correct polarity. Installing batteries will provide backup in the event of a power outage.
- Next, loosen the screws at the top of the feeder and install the Feed Tube, then re-tighten the screws.
- The approximate dimensions of your assembled feeder are: 16 x 9 x 16 inches (l x w x h). Locate the feeder in a suitable place such as a corner, so as not to create a walkway hazard.
- Plug the power adapter into an outlet and into the back of the feeder. The green LED will light.
- Carefully remove the cover and pour in your preferred dry pet food. Press the cover back into place.
- Your feeder is now ready for use! Turn on the feeder by pressing then releasing the center (●) key. Do not hold down the button for more than 10 seconds or this will reset the feeder to factory settings.
- The feeder will perform a **Welcome** and test boot and enter the **DISPLAY** mode.

HOW IT WORKS

Pets using the AutoDiet™ Feeder are fitted with a Wireless tag that uniquely identifies them. Whenever a pet tries to feed it is welcomed by name and the feeder measures, then sets their daily allowance automatically (up to 8 pets). When a pet reaches its *available allowance* the feeder doors shut! You can allow or lock out pets as desired by controlling access and also set up multiple feeding stations with different food types. You decide what your pets eat, how much and at which feeder. This is great for cats and dogs in the same household or for dispensing special/prescription diets.

The AutoDiet™ Feeder has tons of features to manage your pets' diet. You can quickly and easily put selected pets on a weight loss diet with just a few keystrokes. The Portion Control program spreads the allowance throughout the day to prevent gorging and can be set to restrict feeding during night time hours if desired. The feeder even alerts you if any of your pets are underfeeding (a common early warning sign of illness). The display keeps you informed about you pets feeding and you can see how much they have fed today and on the prior day as a percentage of their daily allowance. The advanced features let you adapt to the challenges of multi-pet households. No more messing around with measuring cups or filling bowls at meal times! This comprehensive diet management system saves you so much time as it effortlessly controls your pets' individual diets. You will wonder how you ever did without it!

PRODUCT DESCRIPTION



• **Figure 1: Wireless Whiskers® AutoDiet™ Feeder AC100**

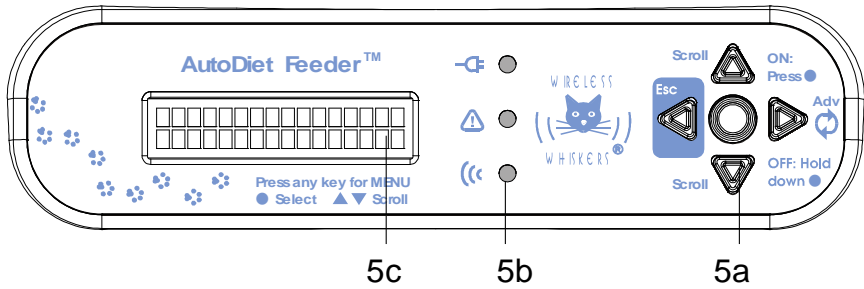


Figure 2: Control Panel

PART	FUNCTION
1 Feeder Body	Product Housing
2 Feed Tube	Stores dry pet food
3 Locking Screws	Locks Feed Tube to Feeder Body
4 Cover	Shields pet food from dust/moisture
5 Control Panel	AutoDiet™ Feeder controller
5a Keypad	Accesses program menus, On/Off
5b LED Lights	Status and alert notification
5c LCD screen	Information display
6 Motorized Doors	Controls access to food supply
7 AC Adaptor Jack	Power input for AC Adapter
8 Battery Box	Holds four D-size batteries
9 Wireless Tag	Uniquely identifies each pet

Figure 3: Part Names and Function

AUTODIET™ FEEDER CONTROLS

Operating and programming the AutoDiet™ Feeder is very easy. Let's first become familiar with the Control Panel. It consists of a 5 button keypad, 3 LED indicator lights and a LCD display.

Keypad



SELECT (●) key: used to make a selection in MENU MODE and for turning the feeder ON/OFF.



ESC (◀) key: used to escape from MENU MODE without making any changes. (Returns to DISPLAY MODE). This key does NOT move the cursor to the left.



ADVANCE (▶) key: moves the cursor to the right. At the end of the LCD line it cycles back to the beginning again.



SCROLL UP (▲) key: scrolls up through menu: options, settings and values.



SCROLL DOWN (▼) key: scrolls down through menu: options, settings and values.

Figure 4: Key pad description

LED Lights




-  **AC power:** the green LED is on when AC power is connected.
-  **Alert/Warning:** when the red LED flashes, an alert/warning is displayed.
-  **Tag Detect:** the yellow LED flashes whenever a wireless tag is detected.

Figure 5: LED light description

LCD Display

The LCD display shows the time and date, along with feeder settings. It also shows statistics (Pet Stats) so you can keep track of your pets' food intake. To reduce the amount of information displayed, you can turn off certain displayed information if you wish. The display is also used to access FEATURES and SETTINGS. These are organized in a tiered menu which is navigated using the keypad.

ON/OFF

To turn ON the feeder attach the power cord and/or batteries then press and hold the (●) key for about 2 seconds then release. The feeder will power up.

To turn OFF press and hold the (●) key for about 2 seconds then release. The feeder will then power down into standby mode.

SYSTEM OPERATING MODES

The feeder has 3 basic operating modes: DISPLAY MODE, FEEDING MODE and MENU MODE (for programming).

DISPLAY MODE

When the feeder is idle it enters DISPLAY MODE. In this mode the display cycles the TIME/DATE, System Settings and **Pet Statistics** (for the last pet detected or selected using the keypad).

FEEDING MODE

Whenever a pet tries to feed the display enters FEEDING MODE. In this mode it welcomes pets by name and **Pet Stats** indicate feeding data for the current day and yesterday. The data is shown in terms of time and as a percentage of its daily allowance, so you can quickly assess your pets' intake. If a pet reaches its *available allowance* the doors will close with a message: "Sorry! No More Until Later!". If a pet is locked out the display will indicate: "Sorry! No Access. Locked Out."

MENU MODE

To enter MENU MODE simply press and release the (●) **key** twice (the first press activates the backlight). In this mode you can access all feeder SETTINGS. The menu is like a tree: starting at the trunk which lists the OPTIONS, branching out to FEATURES and finally the SETTINGS, each with a list of selectable VALUES. To Program your feeder you simply select a VALUE for each SETTING you wish to change.

A quick reference guide for the menu tree can be found at the back of this Owner's Manual.

INITIAL SET UP

The initial set up varies depending on the number of pets you have and your diet management goals. The basic set up procedure consists of the following steps:

Required

- o Turn on the feeder by pressing the (●) key
- o Set the Time and Date
- o Register wireless tags for your pets
- o Properly Fit the wireless tags to your pets

Optional

- o Set your pet's name
- o Select a Door Control setting
- o Select a Portion Control program
- o Manually set Daily Allowance (to unlimited)
- o Lock out a pet
- o Select alternate AutoDiet Wizard™ program
- o Attach Paw Guard to one of the doors

SET TIME AND DATE

Press the (●) key twice to activate MENU MODE. Select **TIME AND DATE** by pressing the (●) key again. Then use the (▲)(▼) keys to scroll through the FEATURES. Press the (●) key to select **Set Time**. The changeable SETTINGS will then be displayed. In this case: Day, Hour, Min and AM/PM. A cursor will flash on top of the VALUE that can be changed. Change a SETTING by using the (▲)(▼) keys to scroll through its VALUE list. Once you're happy move to the next SETTING using the (▶) key. Then repeat this sequence to change the remaining SETTINGS as desired. If you make a mistake do NOT use the (◀) key to go back. This is the **Escape** key and will cause you to exit without making any changes. Instead continue to press the (▶) key until the cursor recycles to the beginning of the line. Make corrections and when you

are happy, press the (●) key to program the SETTINGS and exit MENU MODE.

The following short hand is used in the Owner's manual to indicate a navigation path. In the example above the path to change time is: **>TIME AND DATE>Set Time>**. The > symbol means go down one menu level by pressing the (●) key.

Using this shorthand to change the date, navigate to: **>TIME AND DATE>Set Date>**. Then repeat the same steps as in the previous example, except select **Set Date** instead. The display will show the appropriate SETTINGS to be changed: Month, Date, Year (two digits: decade first followed by year).

REGISTERING WIRELESS TAGS

Registering Wireless tags is simple! All you need to do is press the tag against the lower face of the feeder. The yellow light will flash and the display will indicate **Welcome Pet A**, and then **Hello Pet A**. This tag is now registered. Optionally you can change Pet A to your pet's actual name (see p.14).

To register additional tags just repeat this process. Anytime you register a new tag the **AutoDiet Wizard™** will be automatically launched which measures the allowance of all pets registered at the feeder.

IMPORTANT: Any tags that will not be fitted to pets should be kept well away from the feeder. Otherwise you may unintentionally register them and restart the **AutoDiet Wizard™**. This will reset your pets' allowances and subsequently alert you that a "phantom" pet is underfeeding!

PROPER FITTING OF WIRELESS TAGS

It is important to properly fit a wireless tag to your pet's collar to ensure correct operation. The AutoDiet™ feeder's detector is activated whenever a pet lowers its head to eat. The wireless tag must dangle in the detection zone as shown.

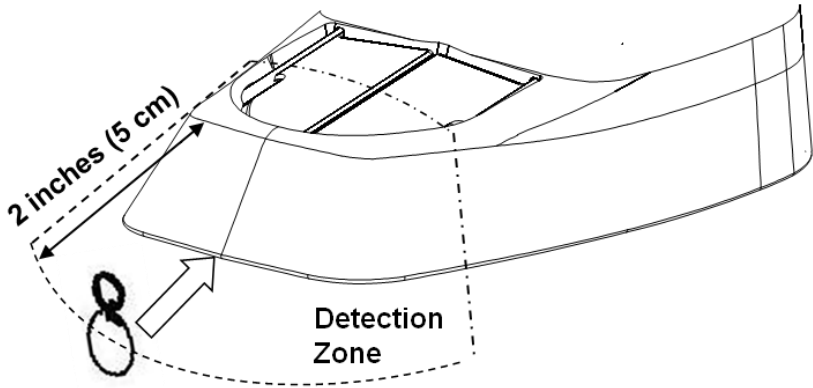


Figure 6: Detection Zone

For best results make sure your pet's collar is **LOOSELY** fitting, so that the weight of the wireless tag centers itself on the pet's neck. **DO NOT REMOVE EITHER RING** from the wireless tag or stack it with metal tags. Detection will not occur if the tag is to the side or behind your pet's head or fitted too high. You can verify correct fitting by watching the yellow LED on the control panel. It will flash about once per second while your pet is eating. Occasional breaks up to 5 seconds are normal and occur while the processor is busy with other functions.

Most pet collars have a standard ring for attaching tags. The wireless tag should face forward (not sideways) when dangling from the collar.

Wireless tags are very low maintenance: they do not require batteries and are water resistant. Each tag has a unique ID that is not dependent on color. Additional tags may be obtained on our website.

IMPORTANT NOTE: THE DETECTION ZONE IS DESIGNED TO ACTIVATE WHEN A PET LOWERS ITS HEAD TO EAT. IT IS DESIGNED NOT TO DETECT IF A PET IS SIMPLY STANDING OR SITTING NEARBY (OTHERWISE IT WOULD INACCURATELY MEASURE THE PET'S ACTUAL FEEDING BEHAVIOR).

OPTIONAL SET UP

EDITING PET NAME

Any changes you make relating to a specific pet are **individual** and apply only to the last pet detected by the feeder (or manually selected using the keypad). To select a pet using the keypad: navigate to: **>Select Pet** and scroll through the pet list and press the (●) key when the desired pet is displayed.

Next edit the pet's name by navigating to: **>EDIT/DELETE PET>Edit Pet Name>**. The cursor flashes on the first letter. Use the (▲)(▼) keys to change the letter VALUE. Then move to the next letter using the (▶) key. Repeat this procedure until the pet name is entered. Finally press the (●) key to program the name and exit MENU MODE. Do not center the name with spaces; this is done automatically when displayed.

DOOR CONTROL SETTINGS

The AutoDiet™ feeder can be operated with the doors normally open or closed depending on your preference. The default SETTING is **Default Open**. In this case the feeder doors remain open and close whenever a pet reaches its *available allowance* or a locked out pet is detected. An alternative SETTING is **Default Shut**. In this case the doors remain closed unless a pet with an *available allowance* is

detected, then the doors open. The doors will immediately shut when a pet reaches its *available allowance* or an excluded pet is detected.

The **Default Shut** mode is particularly useful if there are other pets in the house that you wish to exclude from the feeder that are not fitted with a wireless tag. The **Extreme Shut** mode works the same as the **Default Shut** mode, except it is used to combat aggressive pets that may try to interfere with normal door closure. In this mode the doors try to close repeatedly even when obstructed. The **Extreme Shut** mode uses more power than the **Default Shut** mode so should only be used if you have an interfering pet (which is quite rare). The **Detection Window** feature (see p. 37) is also helpful for combating pet interference by allowing you to reduce the time to door closure after an allowed pet vacates the bowl.

The feeder detects only the pet with its head in the bowl area. If another pet pushes it out of the way, this is instantly detected and the feeder allocates feeding to the new pet (or shuts the door: if it has exceeded its *available allowance* or is locked out).

There are two override SETTINGS: **Permanently Open** and **Permanently Shut**. If selected the feeder doors remain open or shut regardless of the status of tags. If **Permanently Shut** is selected: **Pet Activated Power Up** is disabled when the feeder is in standby mode (see p. 41).

To change the **Door Control** SETTING, navigate to: **>SYSTEM CONTROL>Door Control>** and make a selection.

IMPORTANT: The AutoDiet™ detection system is activated whenever a pet lowers its head to feed, NOT when a pet is simply nearby (otherwise it would inaccurately measure the pet's actual feeding behavior). In the **Default Shut/Extreme** modes, pets must learn to lower their head to open the doors.

Typically pets learn this behavior very quickly, as the food is visible beneath the transparent doors. During this learning period you can optionally raise the feeder by placing it on a phonebook to make the detection zone higher, until your pet learns to lower its head. In contrast, in the **Default Open** mode: the doors are already open before a pet approaches, so no learning is required. The owner can select a **Door Control** SETTING that best suits their pets.

SET PORTION CONTROL PROGRAM

The **Portion Control** feature allows you to manage how your pet's allowance is made available during the day. This is useful for preventing gorging by spreading the allowance throughout the day and/or for restricting night feeding. Access to food is determined by a pet's *available allowance*. In simple terms you can think of this as: what portion of its total **Daily Allowance** a pet can access at any specific instant during the day. (See p.28 for more details).

The default **Portion Control** setting is **Hourly Portions**. This setting divides the **Daily Allowance** into 24 portions. These portions are made available incrementally throughout the day (in this case one per hour). So by the end of the day your pet's entire allowance is available. This prevents pets from gorging and enforces healthy grazing behavior. **6 Hour Portions** works similarly except: the interval is 6 hours and the day is divided into 4 portions.

In addition there are two **No Night Feed** SETTINGS. These prevent feeding during the night hours (10pm to 6am). **No Night Feed 1**: applies no additional portion control restrictions. Alternatively, **No Night Feed 2**: divides the **Daily Allowance** into hourly portions during daytime hours when feeding is permitted.

No Night Feed hours can be adjusted using the **Cycle Start Hour** which is set to 12 am by default. Setting the **Cycle Start Hour** to 3 am will delay **No Night Feed** hours by 3 hours to: 1am to 9 am. It also moves the daily cycle starting time (when all allowances are tallied and refreshed) from midnight to 3 am.

The **Portion Control** feature can be disabled using the **OFF** setting. In which case there is no control over how the **Daily Allowance** is spread throughout the day. This allows the entire **Daily Allowance** to be consumed before the doors will close. Pets then have to wait until their allowances are refreshed at the start of the next day (determined by the **Cycle Start Hour**).

The **AutoDiet Wizard™** must be OFF before you can change the **Portion Control** SETTING.

IMPORTANT: Unless the **Portion Control** SETTING is turned OFF, you should expect your pet's feeding to be interrupted frequently by the doors closing throughout the day as a pet is restricted by its *available allowance* at any instant (see p. 28).

DAILY ALLOWANCE

Automatically Setting

The **AutoDiet Wizard™** automatically measures and sets each pet's **Daily Allowance**. (For more information see p.19).

Manually Setting

In general we always recommend that you use the **AutoDiet Wizard™** to set a pet's allowance because in practice the magnitude of the setting is not intuitive. Large pets do not necessarily have a larger **Daily Allowance**. This is because there are a lot of behavioral variables to incorporate that are not immediately obvious. If you do manually set the **Daily Allowance** you should use the **Y'day** feeding

statistics in DISPLAY MODE to guide you. This is a measurement of how much each pet fed on the prior day and is a good indication of its typical **Daily Allowance**.

You should not manually set the **Daily Allowance** too high, otherwise the **Underfeed Alert** will be triggered. This happens whenever a pet eats less than 65% of its set **Daily Allowance** on the prior day.

Note. The **AutoDiet Wizard™** must be OFF before you can change the **Daily Allowance**.

Unlimited Feeding

If you wish to allow a pet to have unlimited feeding, then set its **Daily Allowance** to 999m. This value is a special case and will not trigger the underfeed alert.

Kittens and Puppies

If any puppies or kittens are using the feeder; after the **AutoDiet Wizard™** calibration is complete you should reset their **Daily Allowance** to unlimited (999 m). This is because the diet of growing animals should not be restricted without your veterinarian's guidance. To do these simply detect its tag and set the **Daily Allowance** to 999m.

Note. The **AutoDiet Wizard™** must be off in order to access most AUTODIET™ SET UP settings, including the **Daily Allowance**.

Locking Out a Pet (Access Control)

The simplest method to lock out pets is to set the **Door Control** to **Default Shut** and do not fit a wireless tag to the pets you wish to exclude. This is useful for locking out dogs or other unauthorized pets without tags. Alternatively, you can register the tag of a pet you wish to lock out and then set

their **Daily Allowance** to 000m. This will cause them to be detected and locked out.

To accommodate an unlimited number of pets and feeding stations you should register only the pets that will use a particular feeder. Then set all remaining unregistered slots (Pet ?...Pet H) to 000m. Once this is done, all the slots on the feeder are occupied and no additional pets can be registered. Thereafter, if a pet with an unregistered tag tries to access the feeder it will be locked out and the feeder will display the message "Sorry! No Access. System Full".

Methods to Lock Out a Pet
Do not attach a tag to locked out pets and change the Door Control Setting to "Default Shut"
Register tag and manually set its Daily Allowance to zero
Set the Daily Allowance of all unused slots Pet ?..H to zero

To re-open a locked out slot simply select its name (e.g. Pet H) using the keypad. Then set its **Daily Allowance** to any value other than 000m.

SET AUTODIET WIZARD™ PROGRAM

One of the great things about the AutoDiet™ feeder is that you can forget about measuring cups, portions sizes and number of meals per day. The **AutoDiet™** feeder does it all for you. Starting at midnight after the last Wireless Tag has been registered, the feeder measures how much each pet eats. The default period for the **AutoDiet Wizard™** calibration is 3 days long. (However you can set it to either 1 or 2 days if you prefer). At the end of the calibration the feeder automatically sets the average measured **Daily Allowance** for each pet. For more detail on how this method works see p. 22.

The **AutoDiet Wizard™** settings can be selected by navigating to: **>AUTODIET SET UP> AutoDiet Wizard™>**.

IMPORTANT: Do not feed your pets with treats or other food during the **AutoDiet Wizard™** calibration unless you intend to do exactly the same every day thereafter. If you do so, the feeder will calculate a lower **Daily Allowance** than normal. As a result you will continually underfeed your pet.

ATTACH PAW GUARD.

In rare cases pets may try to open the doors by hooking their claws in the gap between them. This can be prevented by attaching a Paw Guard to one of the doors so that it sits ON TOP of the gap when the doors are closed. If you find the paw guard closes under the door, move it to the other door.

DIET MANAGEMENT

FOOD TYPES

Your feeder will hold approximately 5 lbs. (2.3 kg) of dry kibble. Do NOT put wet or canned food inside the feeder or it will spoil. Anytime you change the food type or brand of pet food you should reactivate the **AutoDiet Wizard™** to recalibrate for a new food type. This will incorporate the variation in calorie content of the different formulation into the allowance calibration. You can use multiple feeders to control access to different food types within the same household.

Some manufacturers of dry food put coupons, special offers and toys in their bags of feed. Such objects can interfere with flow of food through the feeder. Always check and remove such objects when filling your feeder.

PUTTING YOUR PET ON A DIET

If you have a pet that needs to lose or gain weight, use the **Adjust AutoDiet** feature to increase or decrease their allowance in 10% increments. To navigate to this feature **>AUTODIET™ SET UP>Adjust AutoDiet™ >** and select a SETTING. All changes apply only to the last pet detected or selected using the keypad.

TREATS AND ADDITIONAL FOOD SOURCES

If you allow your pets to access additional sources of food or treats, this will affect the **AutoDiet Wizard™** calibration. If you give frequent treats, this situation can be accommodated, provided you continually feed your pet exactly the same amount of treats both during the **AutoDiet Wizard™** calibration and continually thereafter. In this way additional food is incorporated as habitual behavior and will be included in the calibration. You can then control your pet's overall diet, simply by regulating the food managed by the feeder.

If you give your pets a small amount of treats once a week, this will not significantly affect your pets overall allowance and need not be included in the calibration period.

Caution: DO NOT excessively underfeed your pets. Too rapid weight loss and/or starvation diets are dangerous. In cats, this may lead to hepatic lipidosis (liver failure). Do not ignore underfeed warnings or excessively override allowances calculated by the **AutoDiet Wizard™**. Pets should not lose more than 1 lb (0.5 kg) per month.

MONITOR YOUR PETS' FEEDING AND HEALTH

Always monitor your pets' health and frequently review the SETTINGS and feeding statistics (Pet Stats) to make sure they remain appropriate. Your feeder measures how much your pet is eating, so use

this information to monitor them. If a pet appears excessively hungry or the allowance appears to be inappropriate, reactivate the **AutoDiet Wizard™** to recalculate the **Daily Allowance** or carefully set it manually.

Do not set your pet's allowance too high or the **Underfeed Alert** will not operate properly. Do not ignore Underfeed warnings as it can be an early warning sign of illness or an indication that the feeder is not operating correctly. Make sure that the Wireless tags are properly fitted as improper fitting can affect the accuracy of the feeding measurements. Finally, you should consult your veterinarian for help in selecting an appropriate diet for your pets.

MULTIPLE FEEDING STATIONS

An unlimited number of AutoDiet™ feeders can be set up, with an unlimited number of different food types and an unlimited number of pets. A different feeder must be used for each food type. Each feeder can accommodate up to 8 pets. All the feeder's features are available for each pet on an individual basis, regardless of how many feeders are used in the same household. Simply register the pets you want to use a specific feeder and then lock out other pets by one of the 3 methods outlined in **Locking Out a Pet** p.18. The AutoDiet™ feeder's access control capabilities are very useful for keeping cats and dogs out of each other's food or for feeding special or prescription diets to certain pets.

TIME TO FORGET ABOUT CUPS

Traditionally veterinarians have specified allowances in terms of cups, mL, ounces or grams. These measures are simply a guess based on an estimate of how average your pet is, an assumption of the calorie content of your pet food, and an estimate of its age and activity. Kind of like

saying you should eat the same amount as your friend or neighbor! Veterinarians realize this and will weigh your pet every visit and compare it to a baseline established at your first visit. Thereafter changes in allowance are recommended based on **changes** in your pet's actual weight.

The **AutoDiet Wizard™** establishes a more accurate baseline for your pet's daily allowance because it is an individual measurement based on TIME and behavioral statistics taking into account all variables. It is not a guess or a stereotype but a **measurement**. It does not matter if your pet is a fast or slow eater, or if it takes large or small mouthfuls. Nor does it matter if your pet is large or small, young or old, active or inactive. Whatever behavior and characteristics are **habitual** for each pet are taken into account during the calibration. The **AutoDiet Wizard™** automatically measures and sets each pet's **Normal Allowance** at the end of the calibration including all these factors.

Thereafter controlling your pet's intake is trivial. Do nothing and your pet will be allowed to eat the same as set after the calibration to maintain its present weight. If you want a pet to gain or lose weight: simply adjust their allowance in 10% increments using the **Adjust AutoDiet™** FEATURE. This is the same as your veterinarian would do, but without all the fuss. No more worrying about cups, portions sizes or meal times.

You should not be unduly concerned that a pet might learn to eat faster, attempting to defeat the diet control method. Pets are very habitual and do not generally do that. However, even if they tried: you can simply cut back their **Daily Allowance**. For example: cutting back by a factor of 10 takes just a few keystrokes. Your pet could never keep up no matter how much they try! In reality a much small factor would be sufficient.

Converting Cups to TIME

If you really insist on using cups, converting to equivalent TIME is fairly easy. It is done by loading one day's food into an empty feeder **just before midnight** (or the Cycle Start Hour). Then restart the **AutoDiet Wizard™** using the **1 Day** setting. This will automatically measure and set the equivalent **Daily Allowance**. It will only work for one pet at a time. If you want to do more pets, repeat this procedure and note all their **Daily Allowances** at the end of each calibration. You can then manually enter the allowances all at one time.

Regardless of whether you use equivalent cups or the **AutoDiet Wizard™** calibration as your baseline **Normal Allowance**, you will adjust it based on your pet's weight change. Therefore both approaches will converge on the same adjusted allowance for your pet's ideal weight. So why go to all the trouble of converting to cups? Let the **AutoDiet Wizard™** manage your pet's baseline allowance for you!

MORE ON OPERATING MODES

DISPLAY MODE

This mode is active whenever a feeder has been idle for more than one minute. Idle means a pet is not feeding or the keypad is not in use. In DISPLAY MODE three types of information are rotated.

Alerts

Time/Date

System Settings

Pet Stats

Alerts are shown at the beginning of each rotation. Alerts and Time/Date displays cannot be turned off. System settings are shown alternately with Time/Date, while Pet Stats are separated by a display of paw prints across the screen. To reduce

the information displayed, System Settings and/or Pet Stats displays can be turned ON or OFF.

Alerts

Your feeder is designed to alert you to important conditions. This table shows different alerts you should be aware of. An active alert will be accompanied by a flashing red light on the control panel.

Alert	Description
Reset Clock after Power Up	Reminder to reset the clock after power outage/initial power up.
Low Battery	Warning to change batteries soon. Overrides Door Control to Permanently Open (unless it has been previously set to Permanently Shut). So in the event of total Power Loss pets will be able to access food.
Alert	Description
Underfeed Alert	Warning that on the prior day, a pet fed less than 65% of its Daily Allowance .
Permanently Shut	Reminds you that the Door Control has been changed to an override setting.
Permanently Open	
Doors Obstructed	Warning that the doors are being obstructed.

Time and Date Display

This self-explanatory display is shown below:

Thu 12:00 AM Jan 1, 2010

In the event of total power loss, all the feeder settings will be saved. However when power is restored time, date and today's feeding statistics will be lost. Time/Date will have to be reset. Battery backup will prevent this loss of data.

System Settings Display

There are five different system settings status screens. These screens give you a quick overview of your system settings.

DOOR CONTROL Default Open

DETECTION WINDOW 12 Seconds

CYCLE START HOUR 12 AM

AutoDiet Wizard™ 3 Days

PORTION CONTROL Hourly Portions

The **System Settings** display can be turned off in MENU MODE by navigating to: **>SYSTEM CONTROL>Show Settings>Off**. The diagram above shows the *default* values for these SETTINGS.

Pet Stats

There are 3 statistic displays (Pet Stats). The stats shown are for the last pet detected at the

feeder or you can select a pet using the keypad **>SELECT PET>**. If you entered your pet's name during set up, the name Pet A will be replaced by your pet's actual name.

DAILY
ALLOWANCE

PET A
Allow 20m @ 0%

TODAY'S
FEEDING

PET A
Today 5m = 25%

YESTERDAY'S
FEEDING

PET A
Y'day 19m = 95%

DAILY ALLOWANCE: This screen means the last pet detected has a **Daily Allowance** of 20m and an **Adjust AutoDiet™** setting of 0% (no adjustment).

TODAY'S FEEDING: This screen means that today the last pet detected fed for 5m which is 25% of their **Daily Allowance**. This screen allows you to monitor your pet's feeding progress throughout the day.

YESTERDAY'S FEEDING: This screen means that the last pet detected fed for 19m on the prior day which is 95% of their **Daily Allowance**. If this is less than 65% the **Underfeed Alert** will be triggered.

The **Y'day** screen provides a quick indication, whether a pet is eating more or less than normal for a complete day. It can be used as a convenient guide for manually setting the **Daily Allowance** or for daily logging your pets' feeding. A convenient chart is provided at the back of this manual.

Note: If the **AutoDiet Wizard™** is activated, the fields shown in gray are temporarily replaced with **Wiz N** or **TBD**. This is because these fields depend on the **Daily Allowance**, which is not determined until the end of the **AutoDiet Wizard™** calibration. The N value (in **Wiz N**) is /,1,2,3. The / is used to

indicate the day that the **AutoDiet Wizard™** is activated. Since this is a partial day, feeding data is not used in the calibration. The numbers 1-3 indicate the day count in the actual calibration.

Pet Stats can be turned off in MENU MODE by navigating to: **>SYSTEM CONTROL>Show Pet Stats>Off.**

FEEDING MODE

Any time a pet feeds, the system will recognize and greet it by name:

Hello PET A

The default name can be changed to your actual pet's name of up to 16 characters by navigating to: **>EDIT/DELETE PET>Edit Pet Name>.**

If the visiting pet has an *available allowance*, the doors will open (or remain open, depending upon the **Door Control** setting) and the pet will be permitted to feed. During this time the AutoDiet™ system measures the feeding time. If a pet has no *available allowance*: the doors immediately shut and the pet is cut off until the next **Portion Control** interval and the LCD screen displays:

Sorry! No More Until Later!

Available Allowance

The *available allowance* is a portion of the **Daily Allowance** available at any instant based on the **Adjust AutoDiet™** and **Portion Control** settings. These FEATURES permit a pet to be put on a diet and/or control portions so that a pet cannot gorge its entire daily allowance too quickly. It also permits an Owner to prevent pets from feeding during the

night. The diagram shows how the available allowance is calculated.

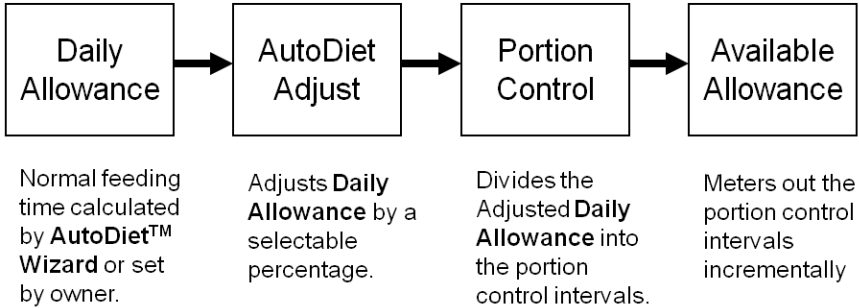
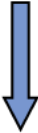


Figure 7: Available Allowance

MENU MODE

This mode is activated using the keypad and is used to edit **SETTINGS**. Editing is very easy: the menus are nested into four levels as shown below. To change a **SETTING** the Owner simply progresses through the menu levels: selecting an **OPTION**, a **FEATURE**, and then a **SETTING**. Finally, the desired **VALUE** is selected from a scrollable list.



Menu Level	Menu Name	Example
1	OPTIONS	Time and Date
2	FEATURES	Set Time
3	SETTINGS	Day
4	VALUE	Sun, Mon...Fri

The complete menu tree may be found at the back of this manual in the quick reference guide.

Accessing MENU MODE

To access **MENU MODE** simply press any key to illuminate the backlight. Then press any key again and the system enters **MENU MODE** showing the first

entry in the OPTION menu. Use the keypad as shown in the Menu tree to navigate through the OPTIONS and FEATURES.

MENU MODE Timeout

If 60 seconds elapse in MENU MODE without a key being pressed, the system returns to DISPLAY MODE.

AVAILABLE SETTINGS

The table on p.32-33 shows the screen views for editing each SETTING when in MENU MODE. The default values are shown for each SETTING. The right side of the table shows the number of settings along with typical SETTING VALUES. A SETTING is **global** if it applies to entire system and all pets. It is **individual** if it applies only to individual pets.


To find a SETTING simply navigate to it using the keypad. When you have reached the SETTING, the upper line of the display shows its current VALUE. When you reach an editable SETTING in MENU MODE the lower line guides you how to change the setting:

Example 1 ▲▼ then ▶  Exit ◀

Example 2 ▲▼ then ●  Exit ◀

Example 1 means for the current SETTING, use the (▲)(▼) keys to scroll through available VALUES. Then use the (▶) key to advance the cursor to the next SETTING.

When you reach the last SETTING to be changed, the guide will be as shown in Example 2. This means the same as the prior example, but instead of using the (▶) key to advance to the next SETTING, you press the (●) key to select and program the SETTING(s) and exit MENU MODE. If instead you continue to press the (▶) key, the cursor will recycle back to the first SETTING, allowing you to make changes.

In both examples Exit◀ means that if you press the (◀) key you will exit MENU MODE without saving any settings. The (◀) key does NOT move the cursor to the left, it is the escape key.

If you **hold down** the (▲)(▼) keys the VALUES will fast scroll. This is convenient for scrolling through long VALUE lists.

MENU MODE VIEW AND AVAILABLE SETTINGS

TIME AND DATE

Time

Thu 12:00 AM
 ▼ ▲ then ● Exit

Global

4 Settings:

Day, Hour, Minute, AM/PM

Date

Jan 01, 2010
 ▼ ▲ then ● Exit

Global

4 Settings:

Month, Date, Decade, Year

AUTODIET™ SETUP

AutoDiet™ Wizard

OFF
 ▼ ▲ then ● Exit

Global

1 Setting:

Off, 3 Day, 2 Day, 1 Day

Adjust AutoDiet™

0%
 ▼ ▲ then ● Exit

Individual

1 Setting:

-30% to +30% in 10% Increments

Daily Allowance

999 Min
 ▼ ▲ then ● Exit

Individual

1 Setting:

Minutes

Portion Control

Hourly Portions
 ▼ ▲ then ● Exit

Global

1 Setting:

Hourly Portions, 6 Hour Portions, No Night Feed 1, No Night Feed 2, Off

Cycle Start Hour

12 AM
 ▼ ▲ then ● Exit

Global

1 Setting:

Hour, AM/PM

* Displays show default values

SYSTEM CONTROL

Show Settings

▼ ▲ t h e n ● E x i t

1 Setting:
Off, On

Global

Show Pet Stats

▼ ▲ t h e n ● E x i t

1 Setting:
Off, On

Global

Backlight

▼ ▲ A u t o m a t i c
t h e n ● E x i t

1 Setting:
Automatic, Always On, Always Off

Global

Door Control

▼ ▲ D e f a u l t O p e n
t h e n ● E x i t

1 Setting: Default Open, Default Shut,
Permanently Open, Permanently Shut

Global

Detection Window

▼ ▲ 1 2 S e c o n d s
t h e n ● E x i t

1 Setting: 3 Seconds, 6 Seconds,
9 Seconds, 12 Seconds

Global

System Reset

▼ ▲ N o
t h e n ● E x i t

1 Setting:
No, Yes

Global

REV. SERIAL NO:

Detection Window

▼ ▲ R e v 2 - 3 S e r i a l # :
0 1 2 3 4 5 6 7 8 9 A B C D E F

0 Settings:
Information Only

Global

EDIT/DELETEPET

Edit Pet Name

▼ ▲ P e t A
t h e n ● E x i t

1 Setting:
Name (16 Characters max)

Individual

Delete Pet

▼ ▲ P e t A
t h e n ● E x i t

1 Setting:
Pet Name (8 registered slots)

Individual

SELECTPET

Select Pet

▼ ▲ P e t A
t h e n ● E x i t

1 Setting:
Pet Name (8 registered slots)

Individual

DESCRIPTION OF FEATURES

TIME AND DATE

Wireless Whiskers[®] AutoDiet[™] Feeder has a built-in clock and calendar. Time is displayed in 12 hour AM/PM format. The day of the week is not directly linked to the calendar and must be set at initial power up.

Time

The clock must be reset after initial power up or power outage. If not the system will provide a periodic reminder: the red LED will flash and the display will prompt you to **Reset Clock After Power Up**. Otherwise the feeder will operate normally *without* correct time. All timing will be offset compared to actual time by the difference in clock time and actual time.

Synchronizing Clocks

When setting the time you may wish to synchronize to another clock. To synchronize the second count: adjust the clock to the correct time at the start of the next minute. Then wait until the instant the external clock advances to a new minute and then simultaneously press the (●) key to synchronize clocks.

Date

To speed up editing the year, it is split into two digits: a decade field and a year field. The century and millennium digits are not adjustable. Month length and leap years are programmed into the calendar and will adjust automatically. However Day Light Savings time changes (if observed) must be made manually. The date is provided as a useful utility, it is not used in any feeder functionality.

AUTODIET™ SET UP

These FEATURES allow you to select and customize the automatic and manual diet control programs. Some FEATURES can be set **individually**, while others are **global** and apply to all pets. When adjusting the SETTINGS for an individual pet, the desired pet must be selected in advance. Otherwise any changes will default to the last pet using the feeder.

AutoDiet Wizard™

This is described in **OPTIONAL SET UP**. (See p.19).

Adjust AutoDiet™

Once the **Daily Allowance** has been set, either manually or automatically you can increase or decrease each pet's diet as a percentage of its **Daily Allowance**. This is very convenient and eliminates messing around with measuring cups or worrying if the intended pet is getting the right amount of food.

For example: To reduce a pet's intake by 20%, simply change the **Adjust AutoDiet™** to -20%. Conversely if want to increase a pet's intake: selecting +20% will increase it accordingly.

All pets have an individual **Adjust AutoDiet™** setting that can be independently adjusted. Before changing this setting you must first detect the pet or select it using the keypad. The default value is 0% (no adjustment).

This setting is temporarily disabled during the AutoDiet **Wizard™** calibration.

Daily Allowance

This is described in **OPTIONAL SET UP**. (See p.17).

Portion Control

This is described in **OPTIONAL SET UP**. (See p.16).

Cycle Start Hour

The start of each feeding day and when all allowances are refreshed is by default set to 12 am (midnight). If desired, you may shift to a different start hour. All allowances and **Portion Control** settings are referenced to the **Cycle Start Hour**.

Example: if the **Cycle Start Hour** is changed from 12 AM (default) to 3 AM. The AutoDiet™ system delays the daily reset by 3 hours and renews all allowances at 3 a.m. instead of midnight. This also delays **No Night Feed** period by 3 hours.

The **Cycle Start Hour** setting is temporarily disabled during the AutoDiet **Wizard™** calibration.

SYSTEM CONTROL

System controls allow you to modify system **SETTINGS** and **FEATURES**. Also the AutoDiet™ Feeder can be reset to factory default using the **System Reset** feature.

Show Settings

This allows System Settings to be displayed or not. Navigate as follows: **>SYSTEM CONTROL>Show Settings>**.

Show Pet Stats

This allows Pet Stats to be displayed or not. Navigate as follows: **>SYSTEM CONTROL>Show Pet Stats>**.

Backlight

Controls the operation of the display backlight. There are 3 settings available: Automatic, Always On and Always Off. Navigate as follows: **>SYSTEM CONTROL>Backlight>**.

Door Control

This is described in **OPTIONAL SET UP**. (See p.14).

Detection Window

This FEATURE allows you to adjust the time allowed for a detection to occur before ending the current feeding session. At the end of a feeding session the doors will operate according to the **Door Control** SETTING. This FEATURE is useful if you want the doors to close quickly after a pet finishes feeding. For example if you are trying to keep the dog out of the cat's food and the dog has no wireless tag fitted.

There is a tradeoff: the shorter the **Detection Window**, the less time the feeder has to detect the tag. So if a pet stands back from the feeder for a short time or its tag is not facing the feeder, detection may not occur causing the feeding session to end and the doors to close if set to **Default Shut**. Provided a pet has an *available allowance* a new session will begin the next time it is detected, but in some cases there may be excessive opening and closing of the doors. The **Extreme Shut** setting for the **Door Control** (see p. 14) is also helpful for combating pet interference; it causes the doors to repeatedly attempt to shut, even when a pet is interfering with normal door closure operation.

Also note a shorter **Detection Window** will affect the measuring of your pet's feeding behavior. It is normal for **Daily Allowances** to be shorter with a shorter **Detection Window** because the time when a pet stands back is not measured. Therefore you should

restart the **AutoDiet Wizard™** if you change the **Detection Window**, so that this is calibrated into the **Normal Allowance**.

Generally we recommend using the longest **Detection Window** that meets your needs. However, if you do reduce the **Detection Window** you should monitor your pet's feeding closely to ensure they are eating enough.

This feature can be found by navigating to: **>SYSTEM CONTROL> Detection Window>**. There are 4 settings: 3, 6, 9 and 12 seconds. The latter is the *default*..

System Reset

There are two ways to reset the feeder back to factory default values (factory reset):

1. Use the **System Reset** feature in MENU MODE by navigating to: **>SYSTEM CONTROL>System Reset>**.
2. Turn off the feeder by holding down the (●) key for 2 seconds until **Powering Down** is displayed. When complete: hold down the (●) key again for at least 10 seconds (counting slowly).

If the system is unresponsive due to a crash of the processor, remove all power sources, including batteries. Then re-plug the AC adapter and hold down the (●) key again for at least 10 seconds (counting slowly).

REV. SERIAL NO:

This provides information about the firmware revision and the Electronic Serial Number (ESN) of your feeder. The ESN is an encrypted security feature to verify the authenticity of your product and it is required for warranty registration. When

selected this FEATURE it will display information for one minute or until any key is pressed. The same information is displayed during the power up welcome sequence. There are no editable VALUES for this FEATURE.

EDIT/DELETE PET

Edit Pet Name

This is described in **OPTIONAL SET UP**. (See p.14).

Delete Pet

If you wish to delete a pet from the feeder you can do this at any time using the **Delete Pet** feature. Simply navigate to: **>EDIT DELETE PET>Delete Pet>Yes** and then press the (●) key to delete.

SELECT PET

This allows the owner to select a pet. Manually selecting a pet makes it the default pet for editing and display purposes. Otherwise, the default pet is the last one detected by the feeder. If you wish to change settings or display information for a different pet, the **Select Pet** SETTING must be changed to the desired pet in advance

SYSTEM POWER FEATURES

The system can operate using either AC power or alkaline batteries or both.

AC Power

The AutoDiet™ feeder is supplied with an AC adapter to allow operation from a standard power outlet. When connected to AC power the green LED will illuminate. Never use a substitute adapter as it could potentially damage your product and pose a safety hazard. Genuine replacement parts are available on our website.

Battery Power

The **AutoDiet™** feeder can be operated using four D-size alkaline batteries. The feeder does not recharge batteries. To change batteries: first ensure the cover and locking screws are securely fastened to the feed tube (refer to Figures 1-3). Power down the feeder by holding down the (●) key until the display indicates "Powering Down". Then carefully lay the unit on its side to remove the battery box cover and old batteries. Insert four new size D alkaline batteries. Ensure the batteries point the right direction by matching the + and - markings on the batteries with those stamped inside the battery box. Replace the battery box cover and turn the unit upright. Press the (●) key once and release to power up the feeder again.

Installing backup batteries will prevent loss of data during a power outage or other loss of power. Fresh high quality batteries will last about 10 days for continuous use. When used as back up, the batteries will last more than one year. (Assuming there are no excessively long power outages).

Low Battery

When operating under battery power, the battery voltage is continuously monitored. If batteries are close to discharge, the Red LED flashes periodically and the LCD screen will display the **Low Battery** alert. When this warning is displayed the batteries should be replaced as soon as possible. During low battery operation the feeder **Door Control** will be overridden to **Permanently Open** unless the **Permanently Shut** (override) setting has been previously selected by the owner. This is a safety feature, so if batteries become fully discharged; the doors will already be open. This will allow pets to continue feeding, even after loss of all power. Your original door control setting will be restored once normal power is restored. You can check if your

batteries are low when using AC power by temporarily unplugging the AC adapter and observing if a Low Battery alert is displayed.

Power Outage

In the event of a loss of AC power your AutoDiet™ Feeder will seamlessly transition to battery power (assuming good batteries are installed). The unit will continue to operate on battery power until AC power is restored again or the batteries become discharged. On restoring AC power the green LED will illuminate and the system seamlessly transitions back to AC power.

The AutoDiet™ Feeder uses flash memory to store system settings. In the event of total power loss (no AC or battery power): your system and pet settings will be restored on power up. However because the unit has no power during a total power loss, the date, time and today's feeding statistics will be lost. The red LED light will flash and the display will remind you to reset time/date. **Y' day's** feeding time will not be lost because the data was saved on the prior day, before power loss.

The best way to avoid losing data is to ensure that good batteries are always installed. Then if AC power fails, the batteries will take over.

PET Activated Power Up

As a safety feature: after power down or power outage, the feeder enters standby mode and will automatically power up when a pet with a wireless tag is detected. This feature ensures that pets have access to food following restoration of normal power (even if batteries were not installed during the power outage).

If the **Door Control** was set to **Permanently Shut** prior to **Power Down** or power outage, PET Activated

Power Up is disabled and the feeder will power up only in response to Owner intervention by pressing the (●) key.

MAINTENANCE

There are no owner serviceable components inside the unit other than replaceable D-size alkaline batteries (purchased separately).

Cleaning

- Unplug the product before cleaning.
- Do not use benzene, thinners, or other solvents to clean the product. Wipe down the unit with a **damp**, lint-free cloth with a diluted soap solution, and then with a dry lint-free cloth.
- Do **not** allow liquid to flow into the control panel or battery box.

Packaging

Keep packing materials and the product box as they may be needed to protect the unit in case shipping or transport becomes necessary.

Batteries

Do not leave old discharged batteries inside the unit. Old batteries are prone to leakage and corrosion.

TROUBLESHOOTING

Problem	Solution
MECHANICAL	
Doors obstructed warning.	Remove obstruction and wait a few seconds for doors to return to normal operation.
Doors jammed.	Cycle the doors fully open and fully closed several times by hand.
Doors do not sequence as desired.	Check Door Control is not set to an undesired or override setting.
Doors not fully closed.	Power Down the feeder and then Power Up again.
Feed Tube is not secure.	Tighten locking screws on the side of the Housing Shell.
ELECTRICAL	
Reset Clock Alert	
Will not power up.	Occurs when all power is lost or on reset. To avoid this make sure back up batteries are installed.
Feeder operation is erratic or display is garbled.	<ol style="list-style-type: none"> 1. Ensure AC adapter is plugged in. 2. Make sure you are using a working power outlet and that it is not turned off with a wall switch. 3. Check that the batteries are good.
Feeder is unresponsive.	Perform a factory reset.
Backlight is always on or off.	Change Backlight setting.
Yellow light does not flash when detecting a wireless tag.	<ol style="list-style-type: none"> 1. Ensure the door control is not set to Permanently Shut as this disables the detector. 2. Make sure tags are properly fitted per Owner's manual instructions.

	3. Remove all power. Then unplug the control panel and check the red/black wire has not been disconnected from left side of the circuit board.
Feeder will not open or shut.	Check that the Door Control is not set to an override setting (Permanently Shut).
Doors open and close too frequently or do not stay open long enough.	1. Select a different Portion Control program or turn it OFF. 2. Make sure the Detection Window is not set too low.
Time and Date are reset and red light is flashing.	1. Reset Time/Date after power loss. 2. Install back up batteries.
AutoDiet Wizard™ turns on unexpectedly and resets allowances.	Keep unused wireless tags away from the feeder. Registering a new tag re-starts the AutoDiet Wizard™ .

Problem	Solution
PET FEEDING PROBLEMS	
Wireless Tags do not appear to be sensitive enough.	Ensure BOTH rings are on the wireless tag and that your pet's collar is LOOSE.
When the doors are set to Default Shut/Extreme Shut: pets have difficulty activating the doors to feed.	Be patient your Pet may take time to learn to lower their head to open the doors. You can temporarily assist by raising the feeder on a phonebook. If no improvement, change Door Control to Default Open until your pets are fully accustomed to the feeder.
Pet gorges and vomits.	Set Portion Control setting to Hourly Portions .

Daily Allowance is too high or too low.	<ol style="list-style-type: none"> 1. Change the AutoDiet™ Adjust setting. 2. Carefully change the Daily Allowance setting. 3. Consider the possibility of health problems and consult your veterinarian.
Dog steals cat's food.	Set Door Control to Default Shut .
Underfeed Alert.	<ol style="list-style-type: none"> 1. The Daily Allowance is set too high. Activate the AutoDiet™ Wizard to set a more appropriate allowance. 2. Consider possible health problems and consult your veterinarian.
Pet pulls out food at paw's length avoiding detection.	Change the Door Control setting to Default Shut .
Pet does not remove head from feeder when doors close.	<ol style="list-style-type: none"> 1. Set the Door Control to Extreme Shut. 2. Reduce the Detection Window to a smaller time so the doors close more quickly. 3. Turn OFF or select an alternate Portion Control feature to reduce the number of door closings a day. 4. Use water spray or verbal cues to deter and train pet.
Pets get their claws under the doors and partially lift the doors.	<ol style="list-style-type: none"> 1. Trim claws. 2. Stick the thin plastic Paw Guard to the inside edge of one of the doors, so that it lays ON TOP of the gap between the doors when they are closed.
Pet gorges excessively during the AutoDiet Wizard™ calibration.	<ol style="list-style-type: none"> 1. Select a shorter calibration period. 2. Use the Permanently Shut override Door Control to keep your pet out until you wish it to feed. (Note this will affect the calibration).

WARRANTY

We are very proud of our products and back up each one with the following warranty. This warranty offers free repairs of defects or failures in the product, provided that the product is used in accordance with the instructions in the Owner's Manual and all cautions, warnings, and indications. Warranty Period is 180 days from date of purchase.

In order to validate your warranty, please register your warranty within 15 days of purchase at www.wirelesswhiskers.com. To receive service, please visit our website for instructions.

You will need to make a note of the product Model Number on the underside of the product and the unique ESN Electronic Serial Number which can be viewed by selecting it >REV. SERIAL NO:>.

Except as specified below, this Warranty covers all defects in material or workmanship of the product. All costs of shipping for repairs shall be borne by the customer. The following are not covered by the warranty:

- Damage resulting from improper usage, or any attempt, by any person other than authorized personnel to modify or repair the product without written permission from Encaya Corporation.
- Damage resulting from dropping or other shipping related damages after purchase.
- Damage caused by fire, earthquake, flood, or other act of God, or damages due to abnormal operating conditions including pollution, salt damage, gas damage (sulfides), or irregular power voltage.
- Any warranty claims made without proper online registration.

This warranty is only valid within the country of purchase and requires a valid proof of purchase.

Note: this warranty covers free repairs as described herein, and does not impair or affect the legal rights of the customer. In the event that any provision of this Warranty is invalid under prevailing law, the remaining provisions shall remain in effect. Please visit www.wirelesswhiskers.com to obtain information regarding repairs after the warranty period expires.

PARTS AND ACCESSORIES

Additional wireless tags, other accessories and replacement parts are available. Please visit www.wirelesswhiskers.com for detail.

FCC COMPLIANCE STATEMENTS

This equipment has been tested and found to comply with the limits for a Class B digital device, pursuant to Part 15 of the FCC Rules. These limits are designed to provide reasonable protection against harmful interference in a residential installation. This equipment generates, uses and can radiate radio frequency energy and, if not installed and used in accordance with the instructions, may cause harmful interference to radio communications. However, there is no guarantee that interference will not occur in a particular installation. If this equipment does cause harmful interference to radio or television reception, which can be determined by turning the equipment off and on, the user is encouraged to try to correct the interference by one or more of the following measures:

- Reorient or relocate the product.
- Consult the dealer or an experienced radio/TV technician for help.

Modifications (CFR 47 Section 15.21).

Changes or modifications to the electronics or antenna of this product not expressly approved by Encaya Corporation could void the user's authority to operate the equipment.

COPYRIGHTS, TRADEMARKS AND PATENTS

Any redistribution or reproduction or resale in part or in whole of the contents of this document in any form is prohibited. Wireless Whiskers® and associated logo, AutoDiet™ and AutoDiet Wizard™ are protected trademarks.

Wireless Whiskers® AutoDiet™ Feeder is protected by U.S. and foreign patents, design registrations, copyrights and trademarks. All rights reserved.

Vector Wireless is a division of Encaya Corporation, Clearwater, FL. USA.

FEEDING RECORD (Y' Day feeding)

MONTH/YEAR:								
Pet Name:								
Allowance /Adjust %:	m	%	m	%	m	%	m	%
1								
2								
3								
4								
5								
6								
7								
8								
9								
10								
11								
12								
13								
14								
15								
16								
17								
18								
19								
20								
21								
22								
23								
24								
25								
26								
27								
28								
29								
30								
31								

FEEDING RECORD (Y'Day feeding)

MONTH/YEAR:								
Pet Name:								
Allowance /Adjust %:	m	%	m	%	m	%	m	%
1								
2								
3								
4								
5								
6								
7								
8								
9								
10								
11								
12								
13								
14								
15								
16								
17								
18								
19								
20								
21								
22								
23								
24								
25								
26								
27								
28								
29								
30								
31								

QUICK REFERENCE MENU GUIDE

The following chart shows the menu tree for controlling and Programming the AutoDiet™ Feeder.

Power on: press the (●) key
Power off: hold down the (●) key

